



# Cuisine Series Heavy Duty Combination Top Range

Item: \_\_\_\_\_  
 Quantity: \_\_\_\_\_  
 Project: \_\_\_\_\_  
 Approval: \_\_\_\_\_  
 Date: \_\_\_\_\_

Models:

- C836-14     C0836-14     C0836-14M     C836-14L     C0836-14L     C0836-14LM

Range with 2 Open burners & 18" Even Heat Hot Top



Model C386-14

Note: Range-based convection oven models can be located in the middle of a battery, banked back-to-back with other equipment, and can be positioned against a wall

### Standard Features:

- 18" (457mm) even heat hot top section, 32,500 BTUs
- Open Top burners 30,000 BTU each
- Full-range burner valve control
- One-piece cast iron top grates
- Stainless steel front and sides
- Stainless steel front rail w/ position adjustable bar
- 1-1/4" NPT front gas manifold
- Can be connected individually or in a battery
- Automatic lighting - all burners
- 6" (152mm) H stainless steel stub back
- 6" (152mm) chrome steel adj. legs
- Stainless steel oven interior w/ removable porcelain bottom
- 40,000 BTU oven burner
- Chrome plated rack with four positions, 1 per oven
- Fully insulated oven interior
- 100% safety oven pilot
- Oven thermostat control control - 150°-500°F (66°-260°C)

### Optional Features:

- Stainless steel back
- Range base convection oven (add RC)

- Porcelain oven interior in lieu of stainless steel interior - NC
- Single or double deck high shelf or back riser
- Modular unit with legs and shelf (suffix M)
- Modular unit w/o legs on Refrig. Base (change suffix M to PC)
- Stainless steel intermediate shelf for cabinet base
- Stainless steel door(s) for cabinet base units
- Continuous plate shelf, 48-72" for battery installations
- Gas shut-off valves - 3/4", 1", 1 1/4" NPT (Specify)
- Gas regulators 3/4" - 1/14" NPT (Specify)
- Gas flex hose w/ quick disconnect 3/4", 1", 1 1/4" (Specify)
- Stainless steel legs (set of four)
- Flanged feet set of four
- Swivel casters (4) w/ front locking
- Casters w/ polyurethane wheels - non marking
- Extra oven rack
- Rear Gas Connection; 3/4" NPT (max 250,000 BTU's) or 1-1/4" NPT

### Specifications:

U.S. Range Cuisine 36" (914mm) wide Heavy Duty Range Series. Model \_\_\_\_\_ with total BTU/hr rating of \_\_\_\_\_ when used with natural/propane gas. Stainless steel front and sides. 6" (152mm) legs with adjustable feet.

**Ovens** - One piece oven door. Stainless steel oven interior with a heavy-duty, "keep-cool" door handle. Standard oven comes with a thermostat with a temperature range from 150° (low) to 500°F (66°-260°C). One chrome plated oven rack for standard ovens and three for convection ovens.

**Open Burners** - 30,000 BTU/hr per burner with center pilot and a one piece, cast iron top grate over two open burners.

**18" (457mm) Section Even Heat Hot Tops** - 32,500 BTU/hr each burner with one per plate.



NOTE: Ranges supplied with casters must be installed with an approved restraining device.

Cuisine Series Heavy Duty Combination Top Range

Garland Commercial Industries, LLC  
 185 East South Street  
 Freeland, PA 18224  
 Phone: (570) 636-1000  
 Fax: (570) 636-3903

Garland Commercial Ranges Ltd  
 1177 Kamato Road,  
 Mississauga, Ontario  
 L4W 1X4 CANADA  
 Phone: 905-624-0260  
 Fax: 905-624-5669

Enodis UK LTD  
 Swallowfield Way,  
 Hayes, Middlesex  
 UB3 1DQ ENGLAND  
 Telephone: 081-561-0433  
 Fax: 081-848-0041

Enodis

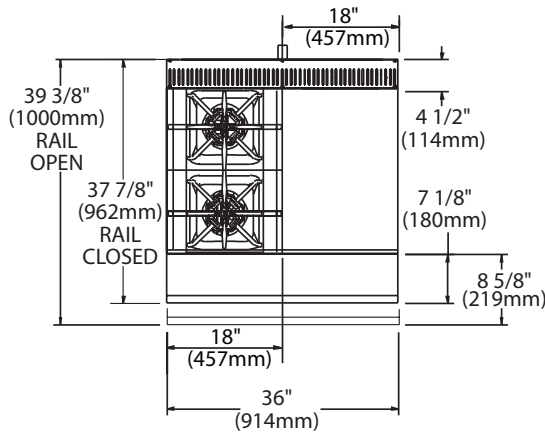
Model #	Description	Total BTU (NAT. Gas)
C836-14*	(1) EHHT(Right) & (2) Open Burners - Standard Oven	132,500
C0836-14	(1) EHHT(Right) & (2) Open Burners - Cabinet	92,500
C0836-14M	(1) EHHT(Right) & (2) Open Burners - Modular	92,500
C386-14L	(1) EHHT(Left) & (2) Open Burners - Standard Oven	132,500
C0836-14L	(1) EHHT(Left) & (2) Open Burners - Cabinet	92,500
C0836-14LM	(1) EHHT(Left) & (2) Open Burners - Modular	92,500

Individual Burner Ratings (BTU/hr)		
Burner	NAT.	Pro.
Open Burner	30,000	28,000
18" Hot Top	32,500	32,500
Std. Oven	40,000	35,000
Conv. Oven	37,000	35,000

EHHT = Even Heat Hot Top

\* Add Suffix "RC" for Convection Oven Base

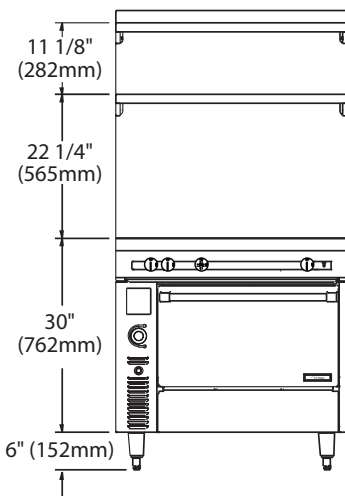
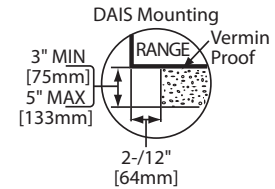
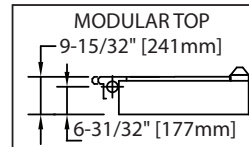
Model C836-14



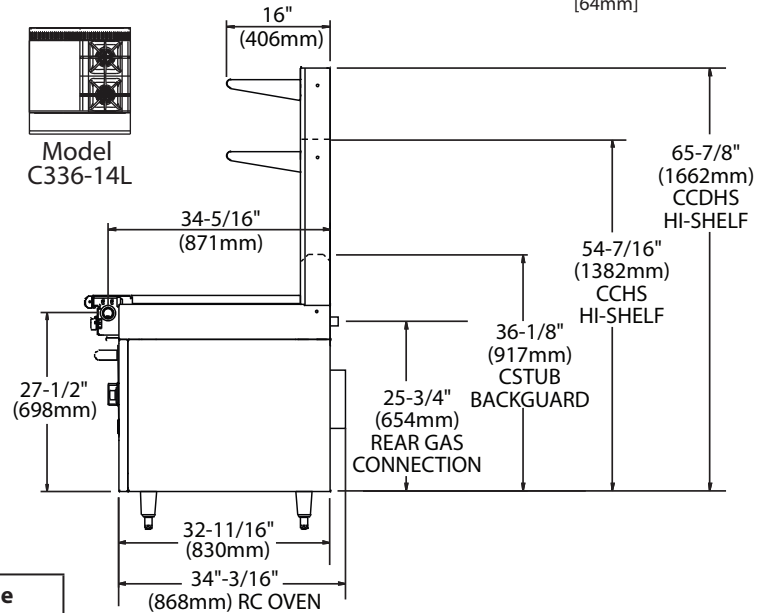
Interior Dimensions: In (mm)			
Product	Height	Width	Depth
Standard Oven	13-1/2(323)	26-1/4 (667)	29 (737)
Convection Oven	13-1/2(323)	26-1/4 (667)	25 (635)
Cabinet Base	20-1/2 (521)	32-1/4 (819)	31 (787)

Gas Pressure	NAT.	PRO.
Minimum Supply	7" WC	11" WC
Manifold Operating Pressure	6" WC	10" WC

Gas Manifold 1-1/4" NPT



Model C336-14L



Combustible Wall Clearance	
Sides	Back
6" (152mm)	6" (152mm)

Form# C836-14 (08/07)